

Popular quadcopter frame design pdf

Link: <http://www.rcdronegood.com/popular-quadcopter-frame-design-pdf-diy-quadcopter/>

You may spent a lot of time looking for quadcopter frame design pdf and want to look into H frame designs, they are relatively simple, and easy to repair. Whether or not? I spent searching over google so it might help you to find somethings help for quadcopter frame design .

From pilots said that quadcopter frame design You would have to balance all of that equipment around the ring running power and control lines all around possible causing interference and inefficiencies. Keep the weight in the center, which decreases the moment of inertia of the vehicle- the vehicle will pitch and roll more easily in response to the thrust.

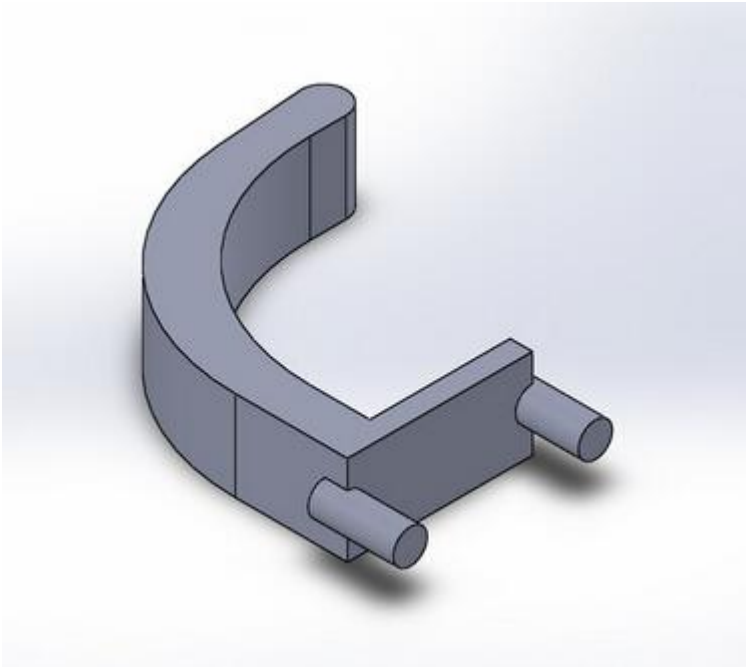
There are many variations of frame design around a number of rotors that can range from 3 to 16, Below are some simple quadcopter frame design from google.

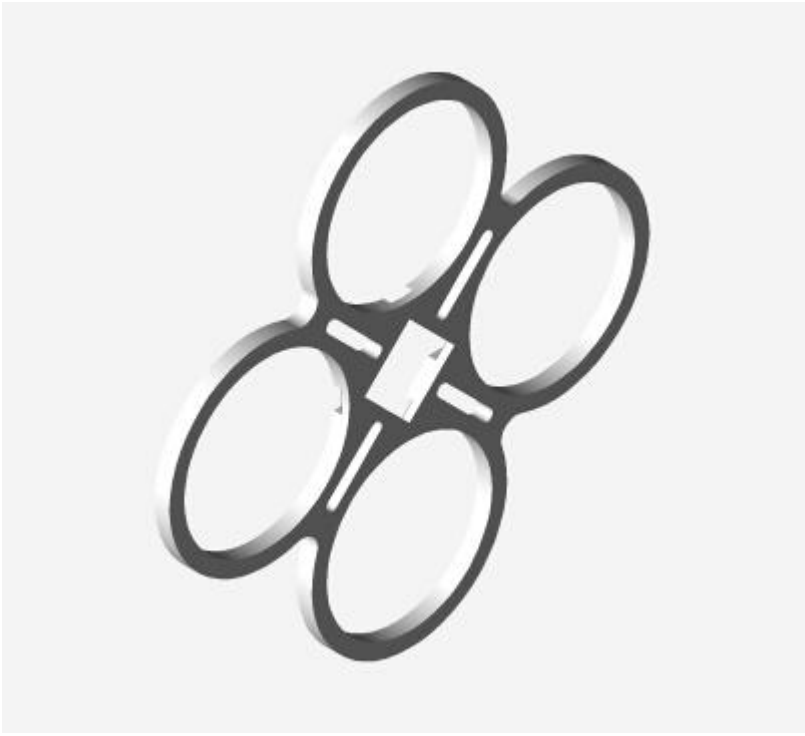
3D printed quadcopter frame design

Quadcopter Frame Design by Aadil Kher: This is for a 3D printed quadcopter frame I designed. It weighs about 350 grams so it is somewhat lightweight. It is a little flimsy, but that is manageable if you put a flat bar across the propeller guard. This is my first upload.(Look at pictures below)

Load in 3D viewer



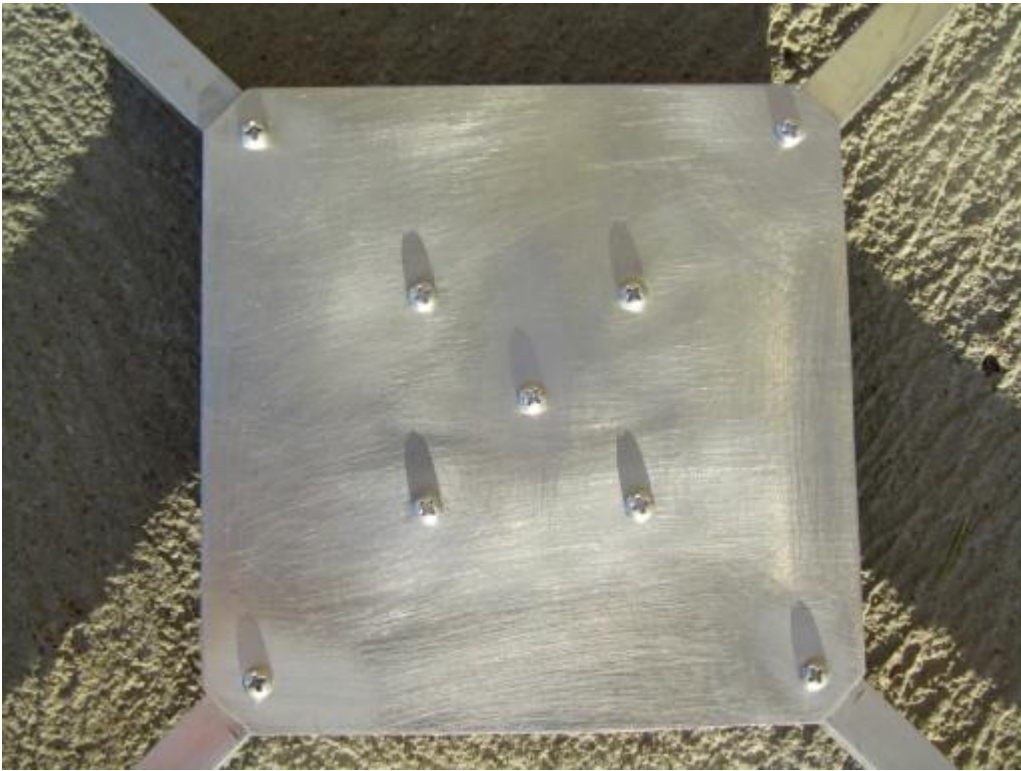




Quadcopter frame design simple

Quadcopter Frame Design by Mr.Digital: My basic design is two 24 inch(610 mm) X 1/2 inch(13 mm) X 1/2 inch(13 mm) square aluminum arms. I knotted both in the center so that they can cross each other. There are two 5 1/4 inch(133 mm) aluminum plates holding everything strong and square. The frame is very strong, rigid, and relatively low weight.









Here one posted about step by step to build your own fpv 250 mini quadcopter including FPV 250 quadcopter frame design, Read more please click here [FPV250 build – How to make a quadcopter \(part 3\)](#)

Conclusion of Quadcopter frame design

Conclusion of Quadcopter frame design by one experienced pilot, Any frame design that:

- Is not too heavy
- Does not flex too much
- keeps the motors the same distance apart when measured diagonally
- can fit all required equipment
- allows the flight controller board to be mounted in the centre

There are many other quadcopter frame designs like the V-tail or dead cat that require you to use different motor mix settings.

By the way, Some of these informations were collected from internet. If my site repost of copyright issues, please contact us (jack@rcdronegood.com), I will deal with it the first time. Thank you!

[Link: http://www.rcdronegood.com/popular-quadcopter-frame-design-pdf-diy-quadcopter/](http://www.rcdronegood.com/popular-quadcopter-frame-design-pdf-diy-quadcopter/)